

---

# INTERCOM INTERCONNECT CABLE

## 210 TO 3010 SERIES INTERCOMS

---

### OVERVIEW

The Intercom Interconnect Cable is designed to interface a Firecom 210 Intercom to a Firecom 3010 Series Intercom to allow intercom communication between the 2 different systems. If the 2 systems are both interfaced with radios, ALL people in BOTH systems will hear ALL the radios, but will only be able to transmit on the radio(s) interfaced with the intercom they are hooked into.

### COMPATIBILITY

This cable may be used with any version 210 Intercom, but ONLY a 3010 Series Intercom with Version 3 Electronics.

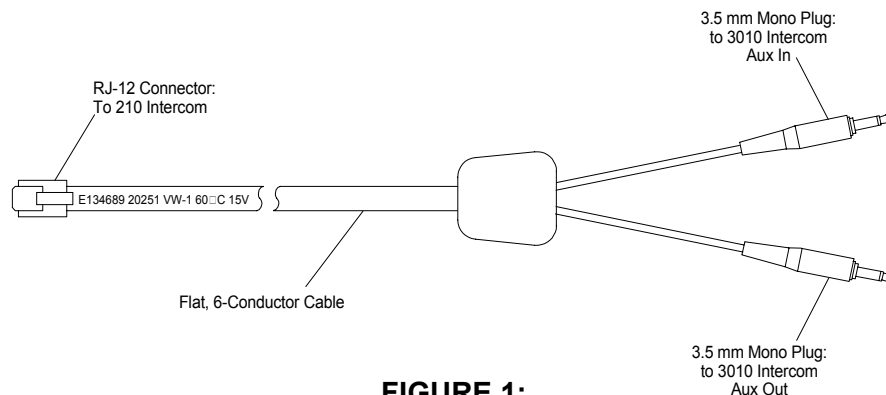


**The 3010 Series Intercoms contains 4 different models, the 3010, 3015, 3020 and 3025.**

To determine if the 3010 Series Intercom has version 3 electronics, find the serial number located on the label on the bottom of the intercom. The serial number will start with a letter (either 'E', 'F', 'G', or 'H'). If the number following the letter is greater than 10,000, the intercom has version 3 electronics.



**This cable will NOT work properly with version 1 or 2 electronics. If you are unsure which version electronics you have, contact Firecom with the Model Number AND the Serial Number of your intercom.**



**FIGURE 1:**  
Intercom Interconnect Cable Assembly



**FIRECOM IS A DIVISION OF SONETICS CORPORATION**

7340 SW Durham Road • Portland, Oregon 97224 U.S.A.

800-527-0555 • 503-684-6647 • Fax: 503-620-2943

email: [sales@firecom.com](mailto:sales@firecom.com) • [www.firecom.com](http://www.firecom.com)

© 2001, Sonetics Corporation. All rights reserved. The information in this document is subject to change without notice.  
No part of this document may be copied or reproduced in any form without the prior written consent of Sonetics Corporation.  
This document is part number: 600-0059-00.

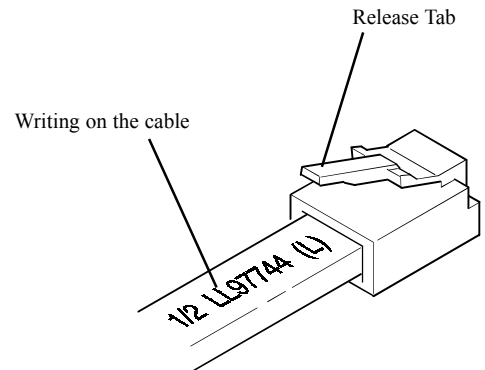
---

## INSTALLATION

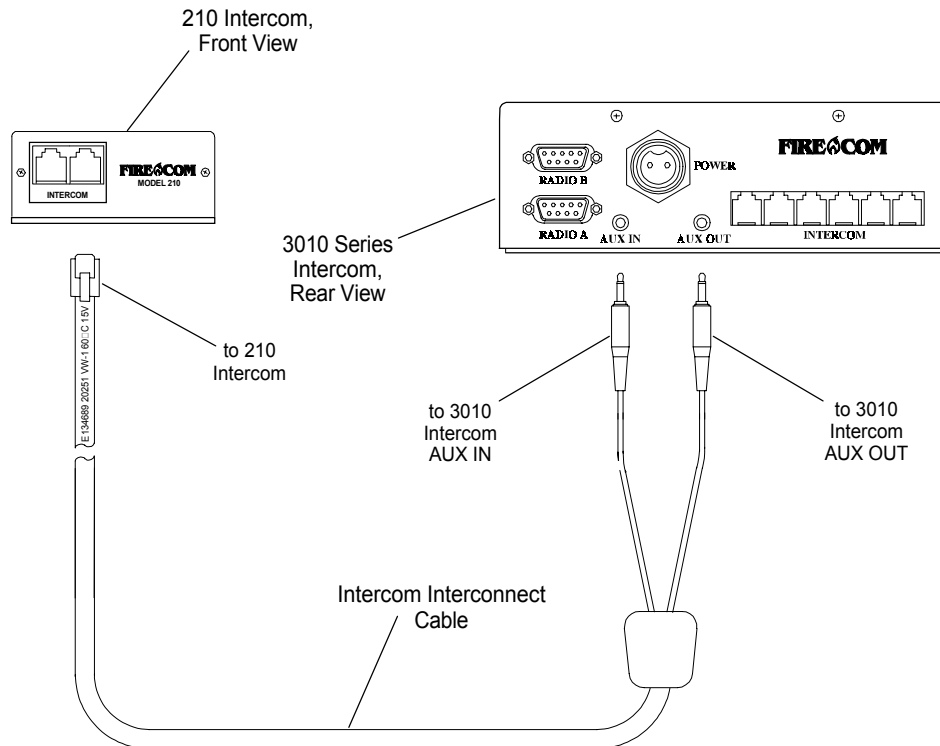


**The Intercom Interconnect Cable comes with the flat, 6 conductor cable (see Figure 1) cut to a length of 25 feet, with the RJ-12 Connector NOT installed on the cable. This is done so the cable can be cut to the proper length during the installation process.**

1. Plug the two 3.5 mm Mono Plugs into the Aux In and Aux Out jacks on the rear of the 3010 Series Intercom as appropriate (see Figure 3). The 2 plugs are labeled as to which jack they should plug into.
2. Route the cable from the 3010 Series Intercom to the 210 Intercom.
3. Cut the cable to the appropriate length (be sure to leave about 8 inches on each end as a service loop).
4. Install a RJ-12 Modular Plug onto the end of the cable by the 210 Intercom with the writing on the cable facing the release tab on the RJ-12 Modular Plug (Figure 2).
5. Plug the RJ-12 Modular Plug into one of the jacks on the front of the 210 intercom.



**FIGURE 2**  
Installing the RJ-12 Modular Plug



**FIGURE 3**  
Installing the Intercom Interconnect Cable