

DIGITAL INTERCOM

www.firecom.com



QUICK REFERENCE



DOWNLOAD DETAILED PRODUCT MANUAL FROM WEBSITE
firecom.com/support

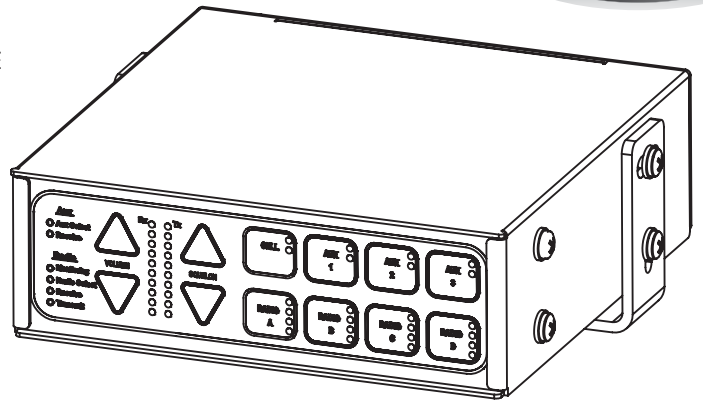


800.527.0555

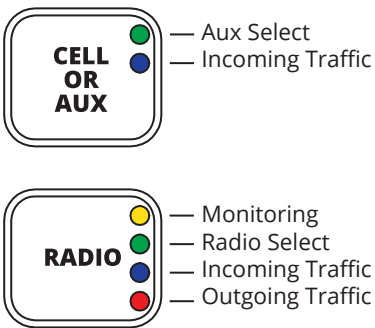


17600 SW 65th Ave
Lake Oswego, OR 97035 USA

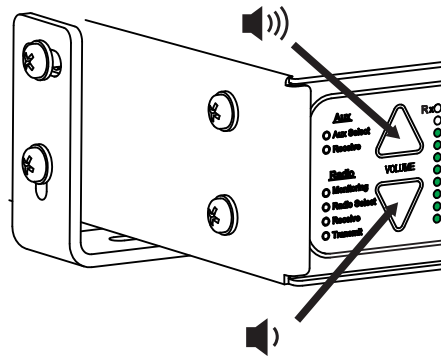
Copyright © 2019 Sonetics Corporation. All rights reserved.
600-1038-00 Rev E



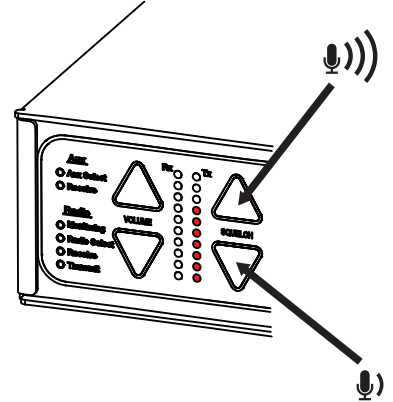
LED COLORS



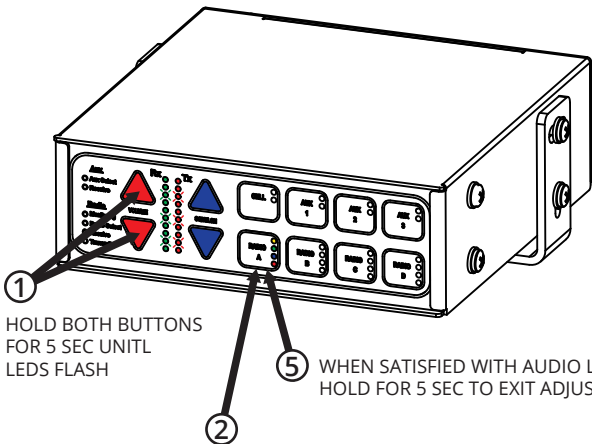
INTERCOM VOLUME



INTERCOM SQUELCH



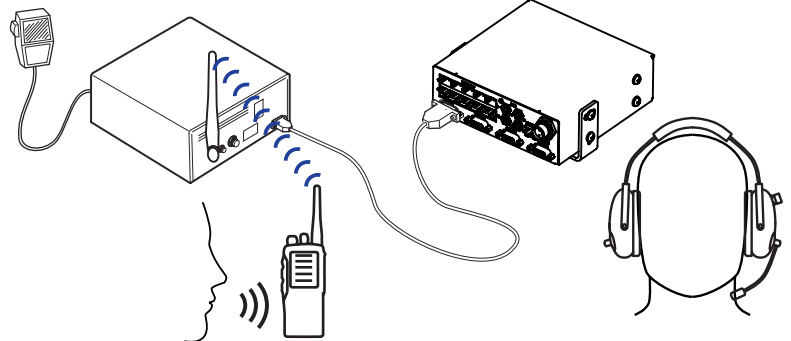
INPUT/OUTPUT GAIN ADJUSTMENT



1 HOLD BOTH BUTTONS FOR 5 SEC UNTIL LEDES FLASH

2 PRESS BUTTON OF INPUT /OUTPUT TO ADJUST. BUTTON LEDES WILL FLASH

5 WHEN SATISFIED WITH AUDIO LEVEL, HOLD FOR 5 SEC TO EXIT ADJUST MODE



3 (INPUT) - ADJUST WITH VOLUME BUTTONS HAVE A PARTNER SPEAK INTO REMOTE RADIO

4 (INPUT) LISTEN TO HEADSET AND ADJUST GAIN USING VOLUME UP/DOWN

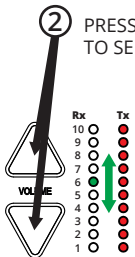
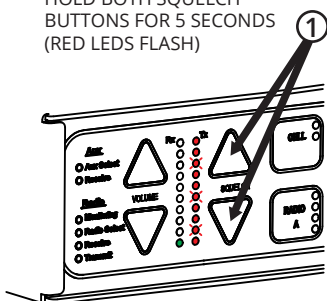
3 (OUTPUT) - ADJUST WITH SQUELCH BUTTONS HAVE A PARTNER LISTEN TO REMOTE RADIO

4 (OUTPUT) SPEAK THRU HEADSET TO REMOTE RADIO AND ADJUST USING SQUELCH UP/DOWN

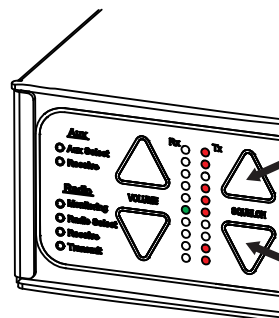
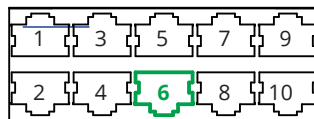
WIRELESS BASE STATION SQUELCH ENABLE/DISABLE

HOLD BOTH SQUELCH BUTTONS FOR 5 SECONDS (RED LEDES FLASH)

2 PRESS UP/DOWN VOLUME BUTTON TO SELECT HEADSET



BACK OF INTERCOM



PRESS SQUELCH UP TO ENABLE SQUELCH (RED LED ON)

3 PRESS SQUELCH DOWN TO DISABLE SQUELCH (RED LED OFF)

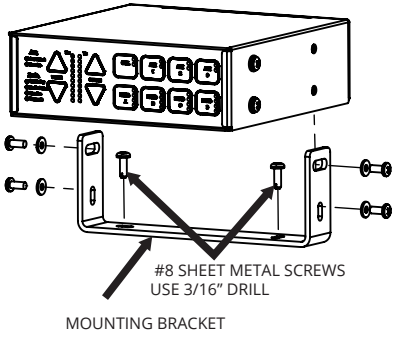
DIGITAL INTERCOM

QUICK INSTALL & SCHEMATICS

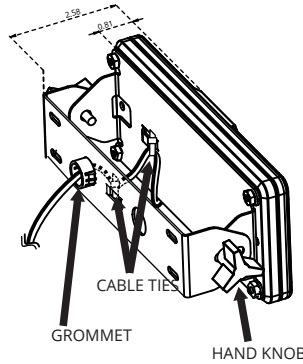
www.firecom.com



INTERCOM INSTALLATION



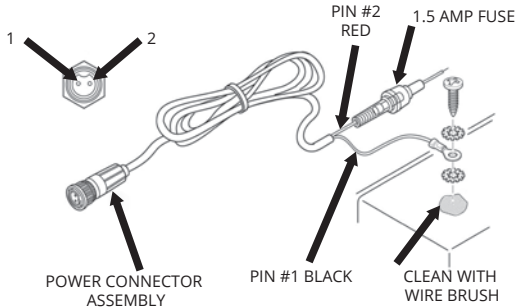
REMOTE HEAD INSTALLATION



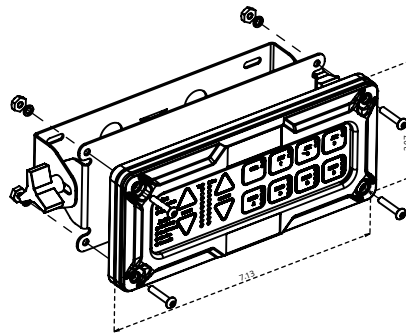
Mounting Flush to a Flat Surface

1. Remove the 4 Torx bolts (T-10) and nuts from the corners of the remote head
2. Use the Remote Head as a template to mark and drill (4) mounting holes: 7/64" diameter for sheet metal screws or 5/32" for machine screws
3. Drill 3/8" hole in mounting surface and install the supplied grommet. Pass the wire through
4. For inside installation, mount the panel using the supplied screws (4), making sure the cable is not pinched Recommended torque : 10 in-lbs
5. Determine the correct length for the CA cable, and cut cable to correct length

POWER CABLE CONNECTION



CONNECT BLACK WIRE FROM PIN 1 TO VEHICLES NEGATIVE GROUND OR USE SUPPLIED SELF-TAPPING SCREW & STAR WASHERS

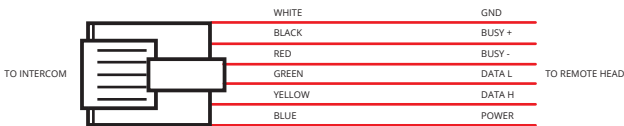


Mounting with Bracket

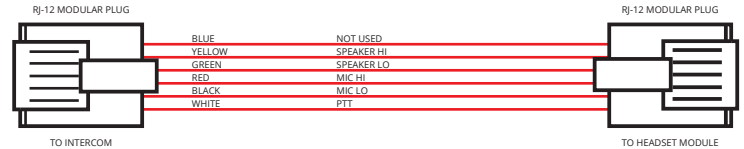
1. Remove 4 Torx bolts (T-10) and nuts from the corners of the remote head
2. Drill 3/4" hole at desired wire pass-through location on mounting surface
3. Drill (4) mounting holes: 7/64" for #6 sheet metal screws or 9/64" for #6 machine screws
4. Mount the bracket using included hardware. Torque : 10 in-lbs
5. Pass cable through grommet and secure with cable ties as shown
6. Adjust the panel to a desirable viewing angle with the two hand knobs

WIRING SCHEMATICS

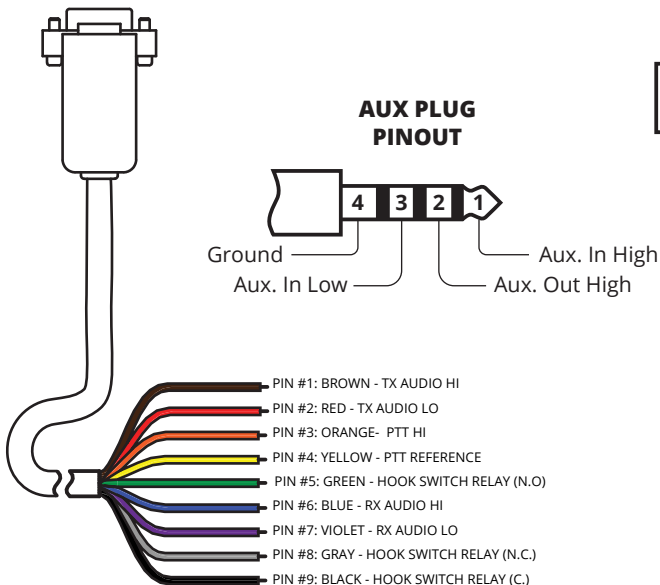
REMOTE HEAD WIRING



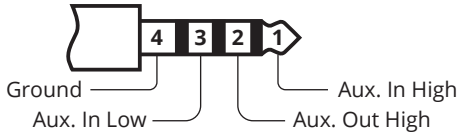
HEADSET MODULE WIRING



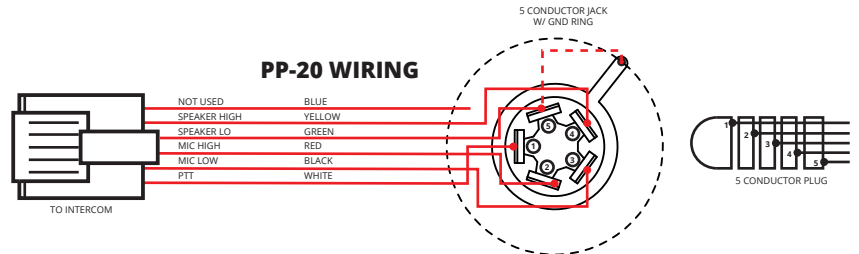
MR-OX RADIO INTERFACE CABLE



AUX PLUG PINOUT



PP-20 WIRING



HEADSET MODULE WIRING

