

technical bulletin

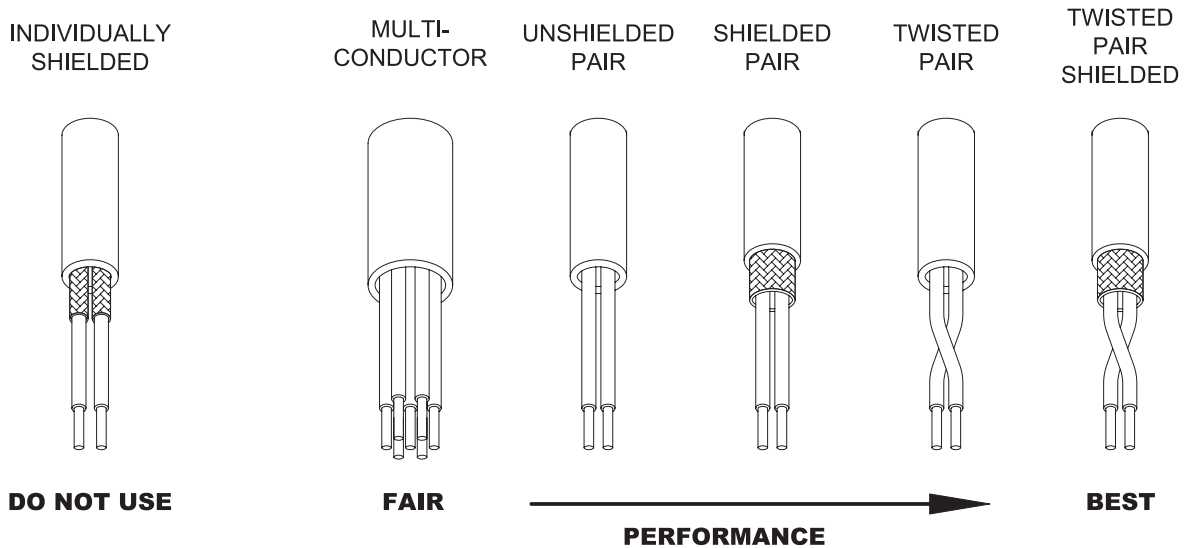
Network Installation Quick Tips

Recommendations

- Use Belden 9463 Twinaxial cable when possible.
- Keep network wire pairs together at all times.
- Connect network units in series.
- Do not splice additional wires into network cable runs.
- Do not bundle excess network cable.

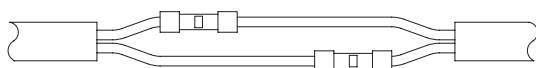
Network Cable

A wide variety of cabling will work for network wiring including multi-conductor cabling. Do not use individually shielded conductors. When possible, we recommend Belden 9463 Twinaxial cable. If you are choosing cable from scratch, we recommend cable with a nominal impedance in the range of 70 to 95 ohms.

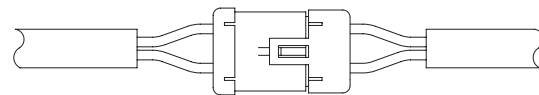


Network Wire Connections

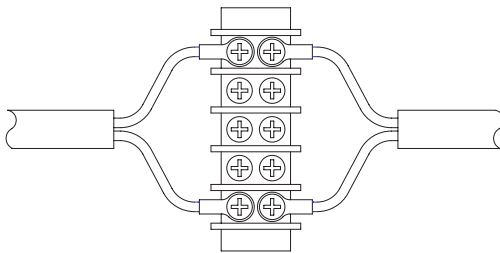
Connections on network cable should be kept in pairs. Do not route wires individually or connect independently. Always treat both wires as a pair. What happens to one wire should happen to the other wire at the same location.



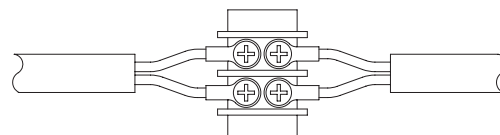
DO NOT
Use non-aligned butt splices



DO
Use 2-conductor automotive connections



DO NOT
Use far terminal connections

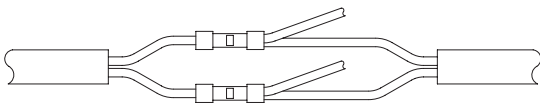
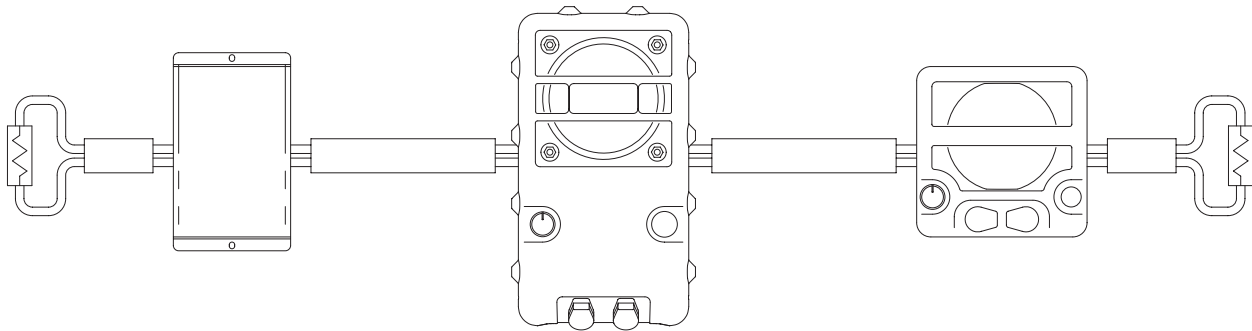


DO
Use near terminal connections

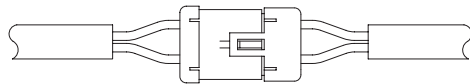
Connecting Network Units

Never splice into network wires. All units come with network in and out connections. Wire all units in series with terminators at both ends.

NETWORK CONNECTIVITY



DO NOT
Splice additional wires into network cables



DO
Connect using 2-conductor connectors

Direct Network Wiring

Do not bundle excess network wiring. Choose direct routes for network cables and remove all excess cable.



DO NOT
Bundle excess cable



DO
Cut cables to length