

Kenwood NX 5700-5800-5900 Remoted Head programming with KCT-72

Using the MR-47X Interface cable

In Extended function under the (AUX) section select Control head 1 AUX input 1 to **External PTT (Voice)**

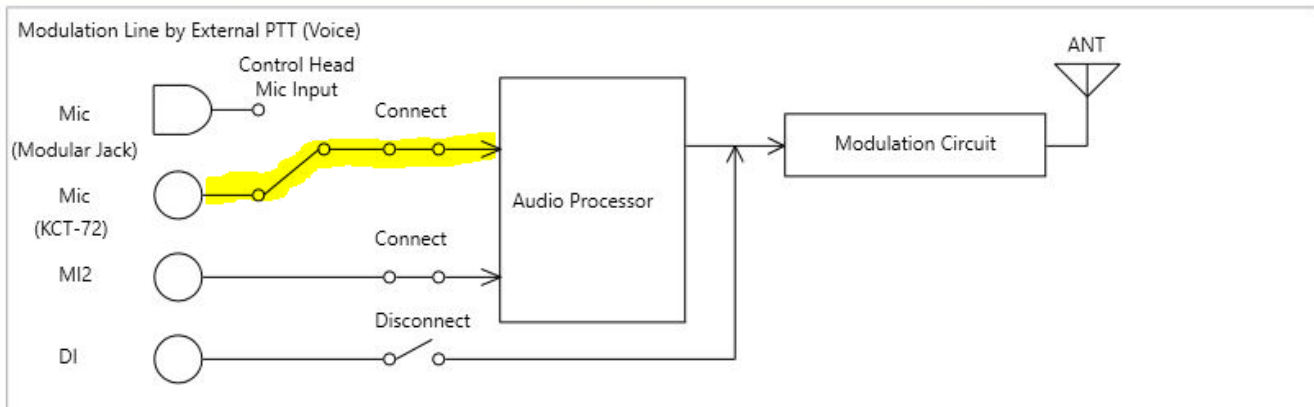
Extended Function				
[+] [-] AUX Remote Zone-Channel Modulation Line Mobile Function				
AUX				
Pin No.	I/O	Function	Active	Debounce
DB-25 4pin	Output	None	Low	<input type="checkbox"/>
DB-25 8pin	Output	None	Low	<input type="checkbox"/>
DB-25 12pin	Input	None	Low	<input type="checkbox"/>
DB-25 13pin	Input	None	Low	<input type="checkbox"/>
DB-25 15pin	Output	None	Low	<input type="checkbox"/>
DB-25 16pin	Output	None	Low	<input type="checkbox"/>
DB-25 20pin	Output	None	Low	<input type="checkbox"/>
DB-25 21pin	Input	None	Low	<input type="checkbox"/>
DB-25 22pin	Output	None	Low	<input type="checkbox"/>
DB-25 23pin	Input	None	Low	<input type="checkbox"/>
DB-25 24pin	Input	None	Low	<input type="checkbox"/>
Control Head 1 AUX Input 1	Input	External PTT (Voice)	Low	<input type="checkbox"/>
Control Head 1 AUX Input 2	Input	None	Low	<input type="checkbox"/>
Control Head 1 AUX Output 1	Output	None	Low	<input type="checkbox"/>
Control Head 1 AUX Output 2	Output	None	Low	<input type="checkbox"/>

In Extended function under (Modulation Line) section select options

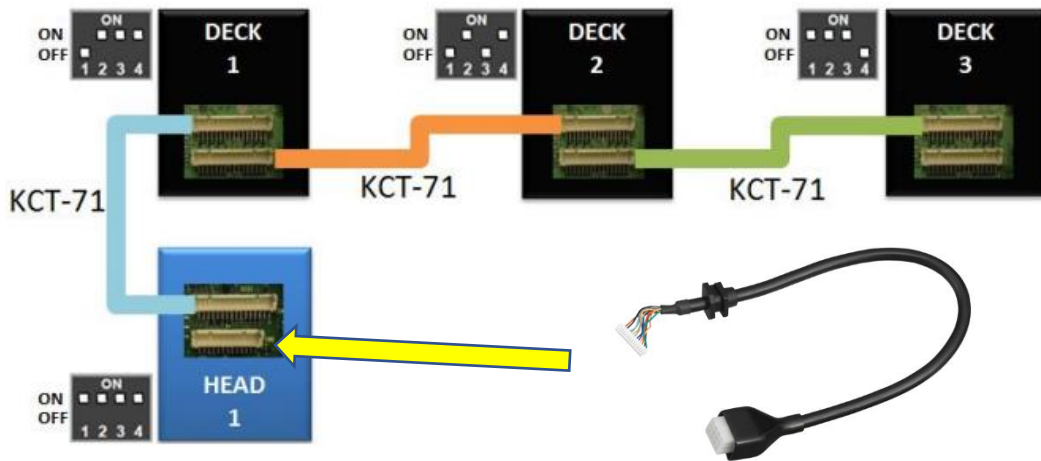
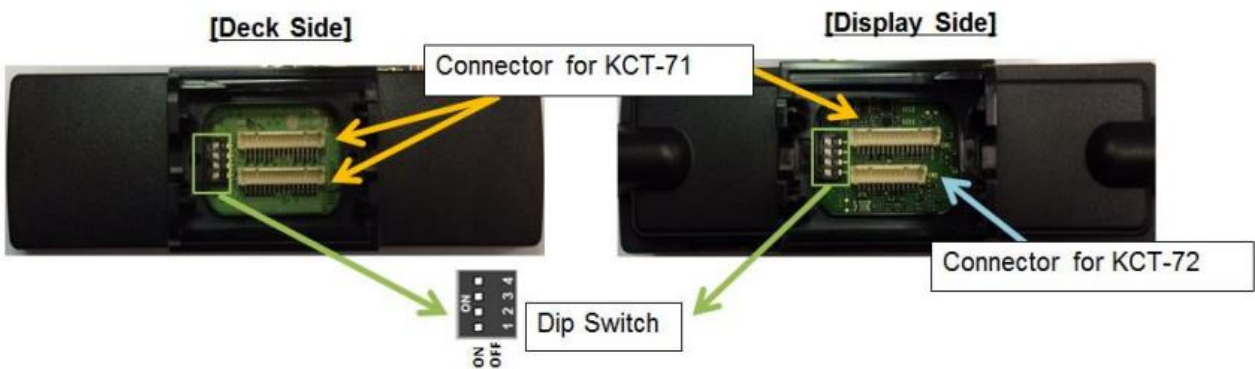
Mic PTT (**Connect**) for MiC Line / (**Disconnect**) for MI2 / Control head Mic input (**Modular Jack**)

External PTT Voice (**Connect**) for MiC Line / (**Connect**) for MI2 / Control head Mic input (**KCT-72**)

Modulation Line						
PTT	Mic Line	MI2 Line	DI Line	with QT/DQT	with STE	Control Head Mic Input
Mic PTT	Connect	Disconnect	Disconnect	<input checked="" type="checkbox"/>	<input checked="" type="checkbox"/>	Modular Jack
External PTT (Voice)	Connect	Connect	Disconnect	<input checked="" type="checkbox"/>	<input checked="" type="checkbox"/>	KCT-72
External PTT (Data)	Disconnect	Disconnect	Connect	<input checked="" type="checkbox"/>	<input checked="" type="checkbox"/>	Modular Jack
Data PTT	Disconnect	Disconnect	Connect	<input checked="" type="checkbox"/>	<input checked="" type="checkbox"/>	Modular Jack



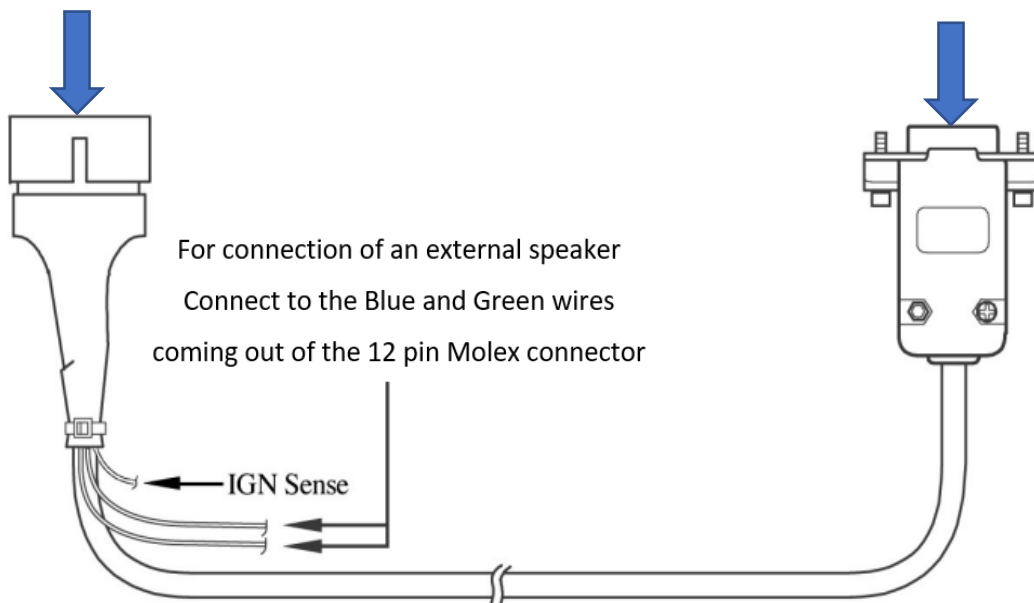
KCT-72 connects to the Head 1 of a multi deck install



Connection to the KCT-72 using a MR-47X Interface cable

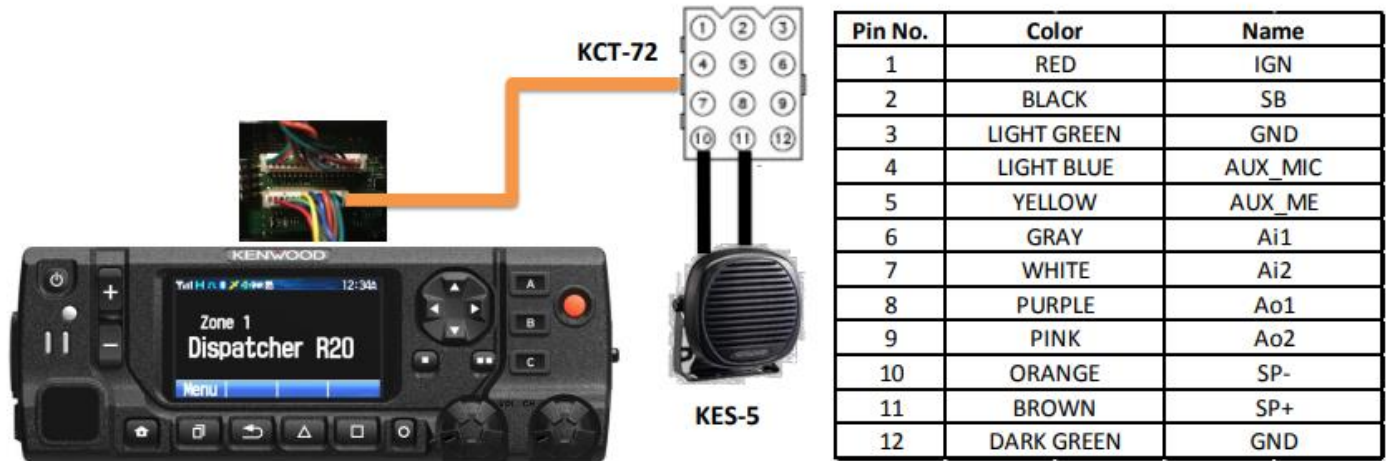
Connect to KCT-72

Connect to DB9 of the Intercom



Pinout of the KCH-20R

KCH-20R



* KES-5 cannot connect to KCH-19 because KCH-19 does not have speaker output port.

MR-47X Wiring diagram

