

Addendum

403LSA 2-Place Panel Mount Intercom



Flightcom's 403LSA 2-place panel mount intercom can be installed using an **optional** wiring harness (P/N 103-0029-00) with the D-sub connector prewired (15 ft length) or by following the basic installation instructions contained in the 403 6-place stereo intercom Installation/Operation manual. For your convenience, the connection schematic for 2-place stereo installation is detailed below.

Included with the 403LSA are the following:

Accessory Package containing:

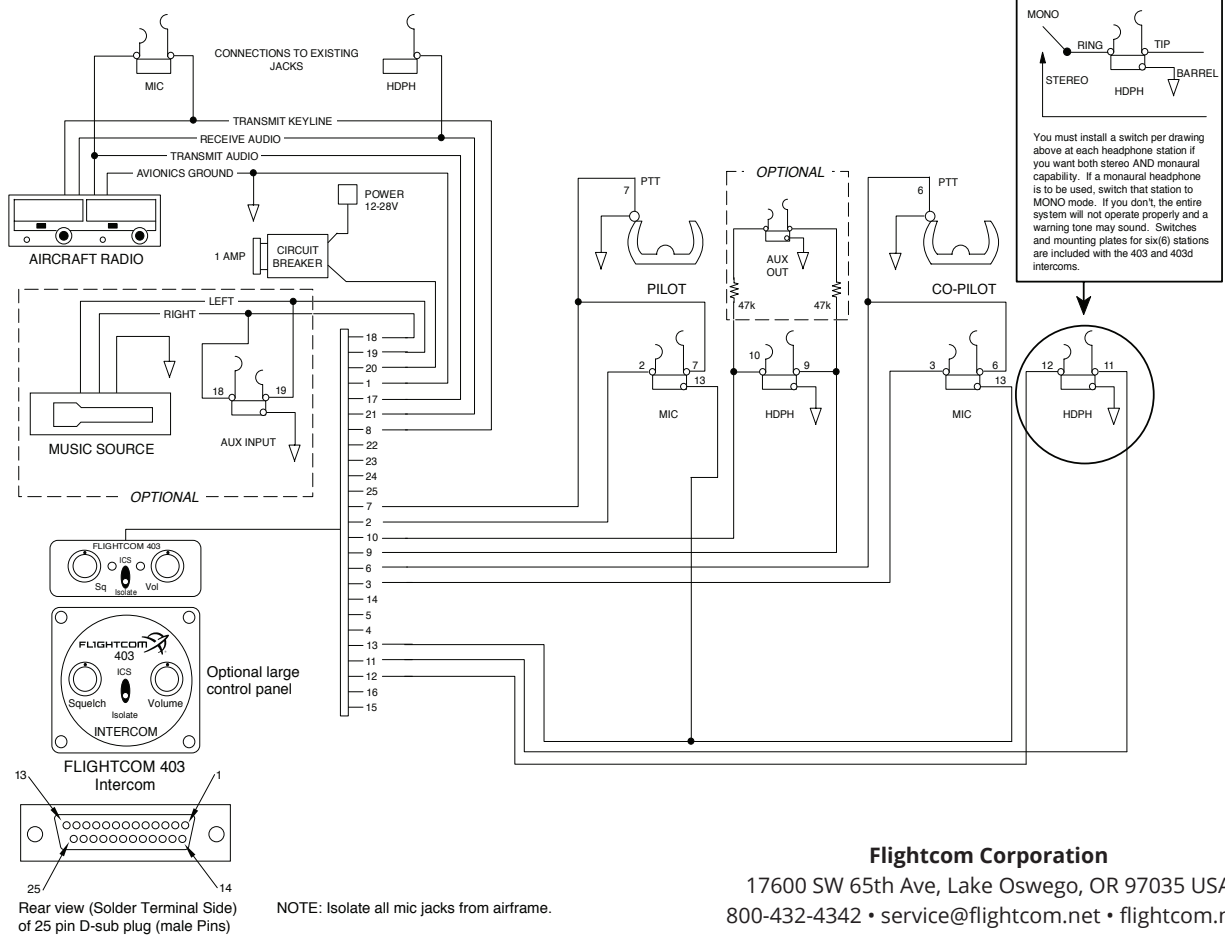
- 1) 25-pin D-sub connector (male)
- 1) 25-pin D-sub connector housing
- 1) Rectangular faceplate
- 2) Knobs – volume & squelch
- 2) #4-40 mounting screws
- 1) Allen wrench

Jack Package containing:

- 2) Headphone jacks
- 2) Microphone jacks
- 4) Metal nuts
- 4) Metal washers
- 2) Black fiber shoulder washers
- 2) White nylon or fiber washers

403 Installation/Operation Manual
Warranty Card

Figure 6 - Connection Schematic - Mono Mode



Flightcom Corporation

17600 SW 65th Ave, Lake Oswego, OR 97035 USA
 800-432-4342 • service@flightcom.net • flightcom.net